

BRASS EXPRESS COUPLING PN10 (2280-2288)



Size : DN 1/4" to DN 1"1/4

Ends : Female, Male and hose coupling

Min Temperature : - 5°C

Max Temperature : + 60°C

Max Pressure : 10 Bars

Specifications : Brass coupling

NBR coupling

NFE 29573 standard

Materials : Brass

BRASS EXPRESS COUPLING PN10 (2280-2288)

SPECIFICATIONS :

- Brass coupling
- NBR gasket (only for Ref. 2280-2283)
- NFE 29573 standard
- Between claws 41 mm

USE :

- Water and compressed air
- Min and max Temperature Ts : - 5°C to + 60°C
- Max Pressure PN : 10 Bars

RANGE :

- Hose coupler with NBR gasket **Ref.2280** from DN 7 to DN 25
- Male coupler threaded BSP with NBR gasket **Ref.2281** from DN 1/4" to DN 1"1/4
- Female coupler threaded BSP with NBR gasket **Ref.2282** from DN 1/4" to DN 1"1/4
- Cap coupler with NBR gasket **Ref.2283**
- Hose coupler without gasket **Ref.2285** from DN 7 to DN 25
- Male coupler threaded BSP without gasket **Ref.2286** from DN 1/4" to DN 1"1/4
- Female coupler threaded BSP without gasket **Ref.2287** from DN 1/4" to DN 1"1/4
- Cap coupler without gasket **Ref.2288**
- Steel Claw camps **Ref. 98440** from DN 7 to DN 25
- NBR standard gasket Ø 20 mm **Ref. 9830984**
- NBR reduced bore gasket Ø 15 mm **Ref. 9830983**

MATERIALS :

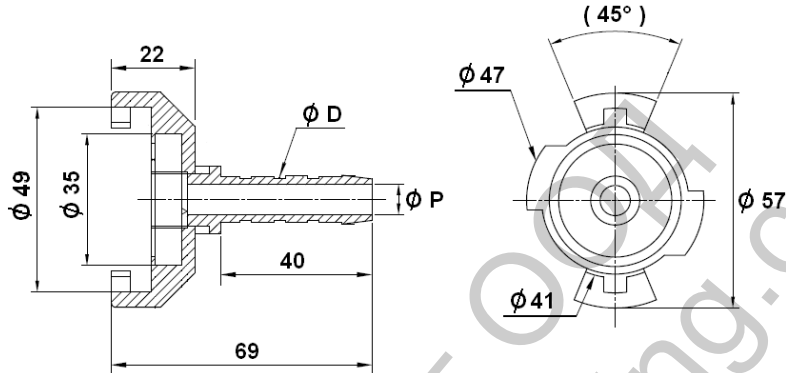


Designation	Materials
Body	Brass
Gasket	NBR

BRASS EXPRESS COUPLING PN10 (2280-2288)

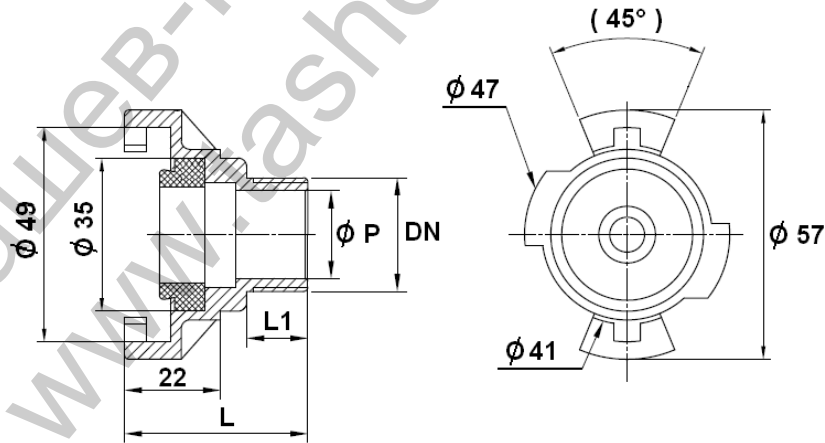
SIZE (in mm) :

- Hose coupler Ref.2280 and 2285



Ref.	DN	7	9	11	13	16	19	22	25
2280	Ø D	7.4	9	11	13	16	19	22	25
2285	Ø P	5.5	6	8	10	12	15	18	21
2280	Weight (Kg)	0.102	0.111	0.108	0.114	0.117	0.135	0.136	0.156
2285	Weight (Kg)	0.108	0.106	0.103	0.109	0.112	0.130	0.131	0.151

- Male coupler Ref. 2281 and 2286

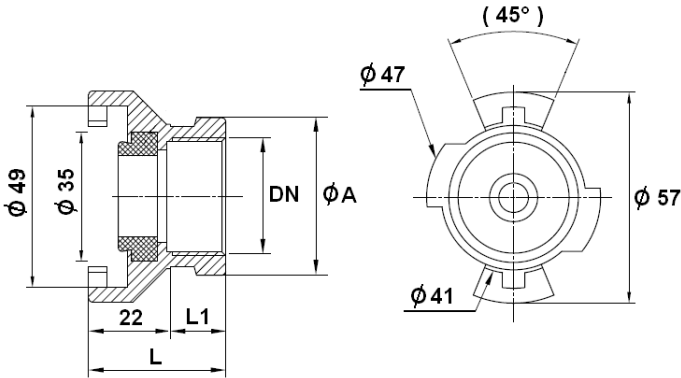


Ref.	DN	1/4"	3/8"	1/2"	3/4"	1"	1"1/4"
2281	Ø P	8	10	15	20	25	32
2286	L	38	39	42	42	42	47
	L1	10.5	11	14	14	14	17
2281	Weight (Kg)	0.097	0.106	0.110	0.110	0.127	0.180
2286	Weight (Kg)	0.092	0.101	0.105	0.105	0.122	0.175

BRASS EXPRESS COUPLING PN10 (2280-2288)

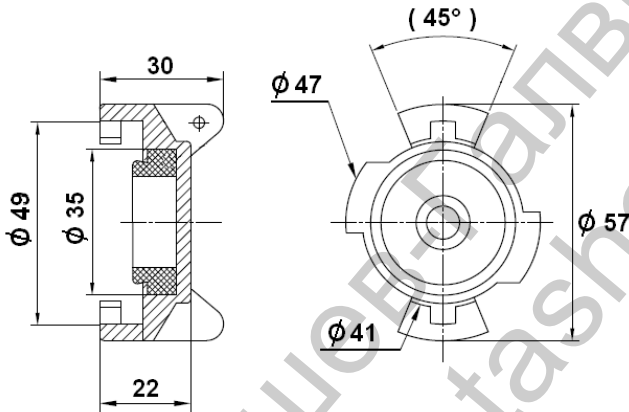
SIZE (in mm) :

- Female coupler Ref. 2282 and 2287



Ref.	DN	1/4"	3/8"	1/2"	3/4"	1"	1 1/4"
2282	Ø A	18.5	22.5	27.5	34.5	42.5	52
2287	L	33	33	33	36	37	44
	L1	11	11	11	14	14.5	16
2282	Weight (Kg)	0.095	0.097	0.097	0.120	0.130	0.190
2287	Weight (Kg)	0.090	0.092	0.092	0.115	0.125	0.185

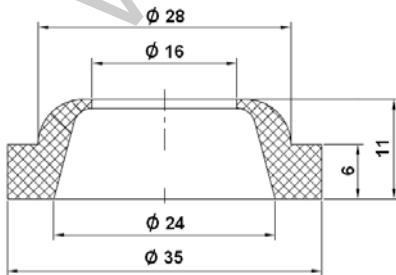
- Cap coupler Ref.2283 and 2288



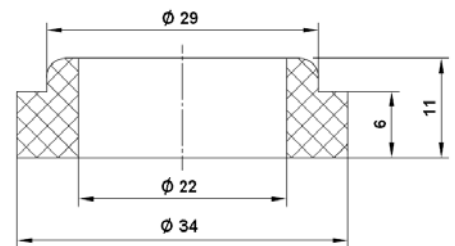
Ref.	DN	Tous
2283	Weight (Kg)	0.100
2288	Weight (Kg)	0.095

- NBR gasket Ref.983098

Reduced bore black NBR gasket Ref. 9830983



Standard black NBR gasket Ref. 9830984



BRASS EXPRESS COUPLING PN10 (2280-2288)
SIZE (in mm) :

- Steel claw camps Ref.98440



REF.	DN	15	17	20	23	26	29	32	36	38
98440	Ø External	14/16	16/18	19/21	22/24	25/27	28/30	31/33	34/37	37/39
	Ø Internal	7	9	10	11	13	16-19	19	22	25
	Weight (Kg)	0.037	0.040	0.040	0.047	0.057	0.061	0.072	0.077	0.117

STANDARDS :

- Fabrication according to ISO 9001 : 2008
- Directive 97/23/CE : Products excluded from directive (Article 1, § 3.2)
- Designing according to NFE 29573
- Threaded BSP according to NF EN ISO 228-1

ADVICE : Our opinion and our advice are not guaranteed and SFERACO shall not be liable for the consequences of damages. The customer must check the right choice of the products with the real service conditions.